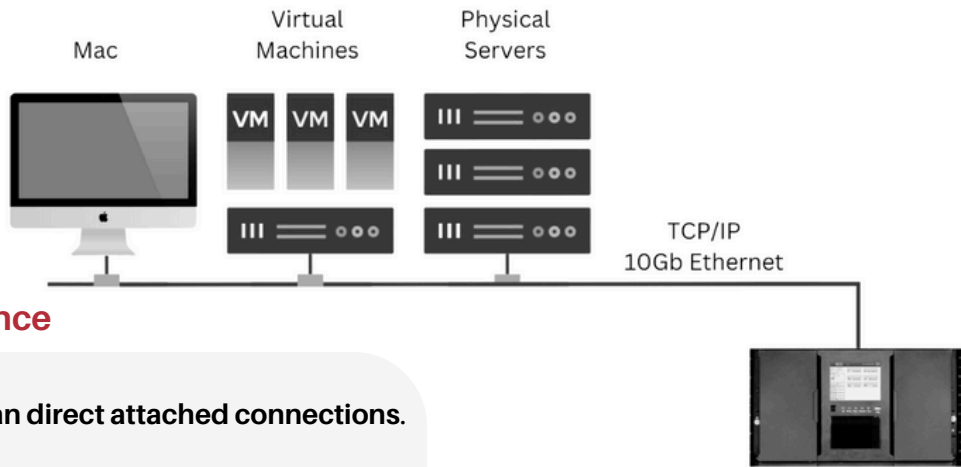


MULTISTOR BD 340 IP TAPE LIBRARY

Unmatched Data Efficiency and Scalability

Effortless Access to Essential Data

The LT ZERO MultiStor BD 340 IP Tape Library offers a secure and eco-friendly solution for data backup and archiving using Internet Protocol (IP) instead of costly Fiber Channel. It supports sustainability by reducing power consumption and helps businesses lower their carbon footprint. Additionally, as an air-gapped solution, it enhances data security against threats like ransomware. The library is compatible with various software and uses LTO magnetic tape cartridges for long-term storage.



The LT ZERO Difference

- ✓ **Scalability**
More scalable than direct attached connections.
- ✓ **Energy Efficiency**
Maximizes energy savings with low power consumption.
- ✓ **Compatible with Standard Network Protocols**
Uses standard network connections.
- ✓ **Cost Efficiency**
Simpler and less expensive than Fiber Channel.
- ✓ **Air-Gapped Backup Support**
Compatible with major backup and archiving solutions and features air-gapped security for added protection.

Business Improvements

Compatibility
The LT ZERO MultiStor BD 340 IP is compatible with all major backup and archive software, allowing corporations to choose the solutions that best fit their specific requirements.

Ease of Connectivity
IP is an industry standard protocol that enables devices to be easily connected over common inexpensive networking equipment.

No Need for Fiber Network Experts
Fiber Channel connectivity is complex, difficult to deploy, and requires specialized skills that are often hard to find. In contrast, IP, the most widely used network protocol, is much easier to manage and has more readily available expertise.

Thwart Ransomware Attacks
Air-gapped copies enhance protection against ransomware by isolating critical data from other technology systems, thwarting malicious outsiders, and keeping data safe.

Use Cases

Data Protection
Their high capacity, ease of use, and cost-effectiveness make IP tape libraries ideal for housing large amounts of important backup data.

Archiving
Find a home for data that is not frequently accessed but still needs to be available.

Disaster Recovery
Tape provides a reliable, portable solution for storing critical data offsite, enabling quick recovery in case of a major data center failure.

MULTISTOR BD 340 IP TAPE LIBRARY

The Benefits of Investing in IP Tape Library



Simplicity

- Work with familiar IP protocol
- Avoid obtuse interfaces, like fibre channel
- Work with standard interfaces



Tell Your Sustainability Story

- Low power requirements
- Reduce energy cost and CO2 emissions by up to 90% compared to disk systems
- Demonstrate environmental concerns to stakeholders and shareholders



High Capacity

- Store up to XX Petabytes of data in a single rack



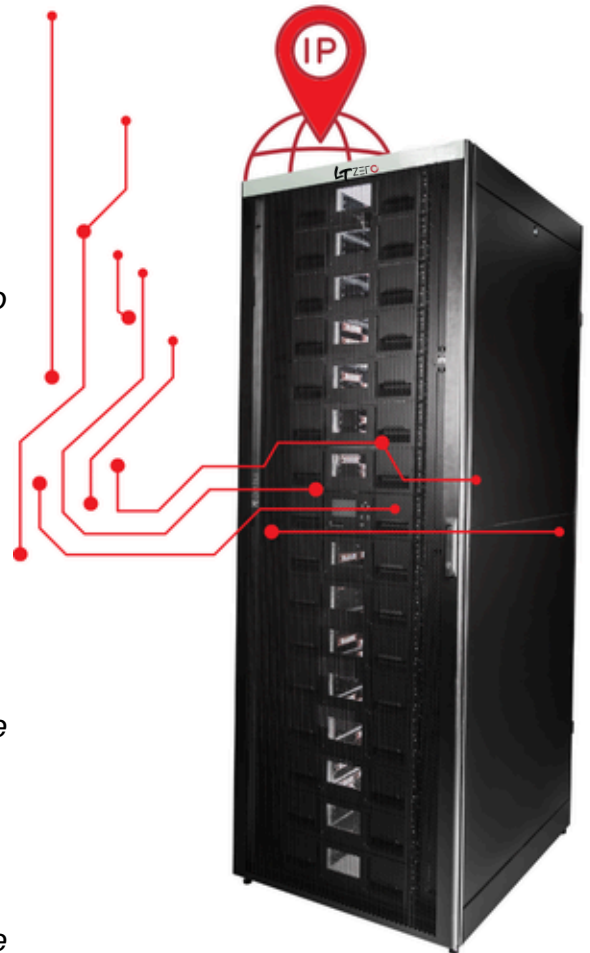
Centralize Management

- Gain visibility
- Multiple tape libraries at different locations can be managed centrally
- Simplify operations



Reliability

- Less prone to data corruption than other storage systems
- Withstand environmental conditions
- Long shelf life of up to 30 years



What's Next?

Interested in knowing how LT ZERO MultiStor BD 340 IP Tape Library can solve your data management challenges. Visit us at www.ltzero.com for more information and sign up for a risk-free trial!

ABOUT **LT**ZERO

LT ZERO is a leading provider of comprehensive data management solutions, specializing in data backup, archival, and restoration solutions. Leveraging on cutting-edge technology and strategic collaboration with BDT, a leader in manufacturing of Tape Libraries, LT ZERO ensures robust and reliable data protection for businesses of all sizes.